



MC AUTOMATIONS

AUTOMATIC WRAPPING MACHINES FOR CHOCOLATE PRODUCTS



**WE ADD VALUE WITH OUR TRUE FOCUS ON INDIVIDUAL
CUSTOMER NEEDS, SEEK INNOVATION IN A MODERN,
FLEXIBLE AND LEAN COMPANY STRUCTURE.**

STYLES

FANCY

SIDE TWIST

DOUBLE TWIST

TOP TWIST

BUNCH

CARDBOARD

GIFT WRAP

ENVELOPE

PORTFOLIO

VIENNA

THE SUCCESS OF OUR GROUP ORIGINATES FROM CLOSE CO-OPERATION WITH OUR CUSTOMERS.

IT IS OUR PURPOSE TO CONTRIBUTE TO THE TRIUMPH OF YOUR PRODUCTS IN THE EVER SO COMPETITIVE MARKET PLACE.



MC1

INTERMITTENT MOTION WRAPPER



300/MIN.

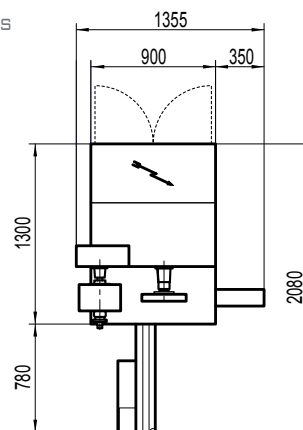
INTERMITTENT MOTION WRAPPING MACHINE SUITABLE FOR SOLID AND FILLED CHOCOLATES WITH FLAT BOTTOM, SYMMETRICAL AND NOT, MOULDED AND ENROBED SUCH AS PRALINES, NAPOLITAINS, BARS, BATONS, NOUGATS, CHOCOLATE ENROBED FRUITS, JELLY AND MARSHMALLOW.

ITS UNIQUE ELECTRO-MECHANICAL CONFIGURATION MAKES IT POSSIBLE TO COMBINE DIFFERENT WRAPPING STYLES IN ONE MACHINE.

THE WRAPPING STYLE CHANGE OVER IS EASY AND CAN BE COMPLETED IN VERY SHORT TIME, THERE IS NO NEED FOR ANY ADJUSTMENTS THANKS TO PRECISE FIXED POSITIONS FOR ALL SIZE PARTS.

THE INTERMITTENT MOTION OF THE FOUR-POSITIONS WRAPPING STATION AND THE CONTINUOUS MOTION OF THE WRAPPING MATERIAL UNWINDING SYSTEM ARE SYNCHRONISED BY SPECIAL PAPER GRIPPERS PATENTED BY M.C. AUTOMATIONS.

IT IS ALWAYS POSSIBLE TO TRANSFORM THE MC1 TO HANDLE A NEW WRAPPING STYLE BY REPLACING THE WRAPPING GROUP, FEEDING SYSTEM, AND/OR THE DISCHARGE DEVICES ACCORDING TO YOUR NEW NEEDS.



AVAILABLE FEEDING SYSTEMS
(SEE RELEVANT SECTION)

B-EW



BOERO



T-DT-B



DT-F-V



F-CORRUGATED FOIL

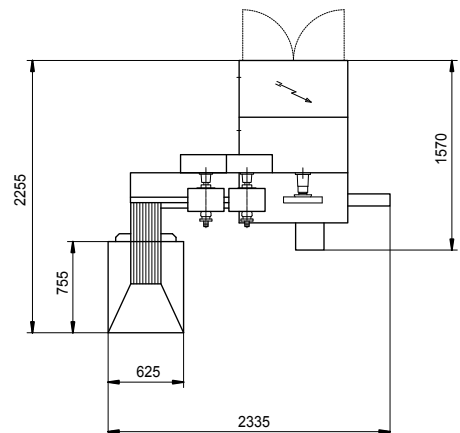


WRAPPING

MC 1 S DT-F



EXCEPTIONALLY VERSATILE MACHINE FOR DOUBLE TWIST AND ROLLED ALUMINIUM FOIL WRAPS. PRODUCT FEEDING FROM VIBRATING HOPPER. CHANGE OVER TIME FOR WRAPPING STYLE WITH THE SAME SIZE PRODUCT IS LESS THEN 20 MINUTES, OR 40 MINUTES WHEN THE PRODUCT SHAPE AND DIMENSIONS CHANGE.



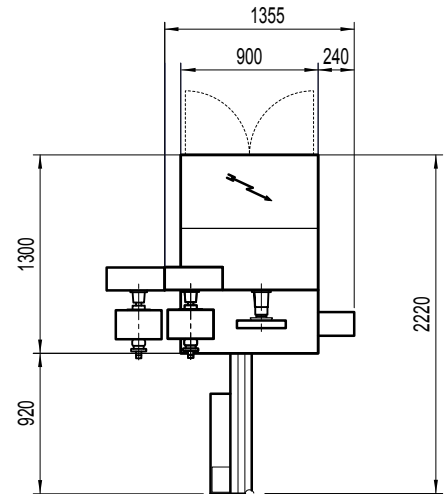


400/MIN.

MODULAR INTERMITTENT MOTION MULTI-STYLE WRAPPING MACHINE SUITABLE FOR SOLID AND FILLED CHOCOLATES WITH FLAT BOTTOM, MOULDED AND ENROBED IN SEVERAL WRAPPING STYLES SUCH AS: DOUBLE END TWIST, BUNCH, ENVELOPE, PORTFOLIO, FANCY, VIENNA, TOP AND SIDE TWIST.

THE EASY REPLACEMENT OF THE FOLDING GROUP ALONG WITH THE SERVO DRIVEN UNWINDING OF WRAPPING MATERIAL, WITH MEMORISED SET-UP PROGRAMS, MAKE THE CHANGE OVER OF WRAPPING STYLE AND SIZE PARTS QUICK AND EASY, WITH NO NEED TO ACCESS THE INTERNAL MECHANICAL PARTS.

THE INTERMITTENT MOTION OF THE FOUR-POSITIONS WRAPPING STATION AND THE CONTINUOUS MOTION OF THE WRAPPING MATERIAL UNWINDING SYSTEM ARE SYNCHRONISED BY SPECIAL PAPER GRIPPERS PATENTED BY M.C. AUTOMATIONS.



AVAILABLE FEEDING SYSTEMS (SEE RELEVANT SECTION)

B



BOERO



EW



DT



F



V



T



WRAPPING

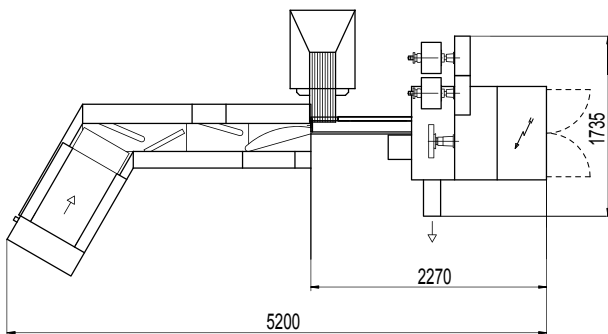


MC2 DT



FOR SPHERES

AND MORE...



IT IS ALWAYS POSSIBLE TO COMBINE IN ONE MACHINE THE WRAPPING OF SPHERES AND PRODUCTS WITH FLAT BOTTOM.

THE VIBRATING HOPPER AND THE CHICANE ARE COMPATIBLE AND THE PRODUCTION CAN BE SWITCHED IN FEW MINUTES.

OMNIA⁶

HIGH SPEED MULTISTYLE WRAPPER



400 ÷ 600/MIN.

WELCOME TO THE MODEL OMNIA⁶, THE NEW GENERATION MULTISTYLE WRAPPING MACHINE, FAST AND COMPACT. PERFECT TO BE INTEGRATED IN FULL AUTOMATIC SYSTEMS LINKED TO THE PRODUCTION THANKS TO THE CONFIGURATION WITH IN-LINE FEEDING AND REDUCED FOOT PRINT. WRAPPING STYLE CHANGE OVER IS CARRIED OUT IN 60 MINUTES; IT HAS NEVER BEEN FASTER IN WRAPPING MACHINES RUNNING SUCH A SPEED. PRODUCT SIZE CHANGE OVER TAKES 30 MINUTES. THE OMNIA⁶ OFFERS THE FLEXIBILITY THAT ALL OUR CUSTOMERS NEED TO SWITCH THE PRODUCTION IN REAL TIME.

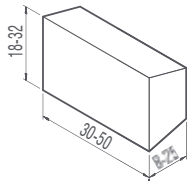
FOCUS ON TOPICS OF OMNIA⁶:

- SERVO DRIVEN PRODUCT IN-FEED CONVEYOR BELTS, TO SPEED UP PRODUCTS MOVING WITH NO BACK PRESSURE
- SERVO DRIVEN FILM UNWINDING, WITH CUTTING LENGTH SET FROM HMI AND ERGONOMIC LOCATION OF REEL HOLDERS, NOW CLOSER TO THE FILM CUTTING STATION TO PROVIDE THE BEST ACCURACY IN FILM TRACKING
- SIX-STATIONS ROTARY HEAD HOUSING THE WRAPPING GROUPS IN STRATEGIC POSITIONS TO ALLOW FAST CHANGE OVER.



AVAILABLE FEEDING SYSTEMS
(SEE RELEVANT SECTION)

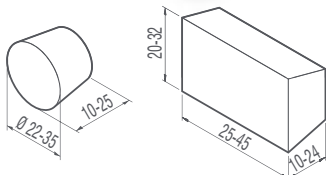
V



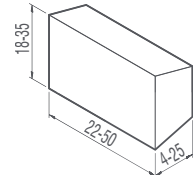
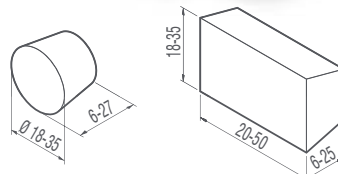
EW



F



B



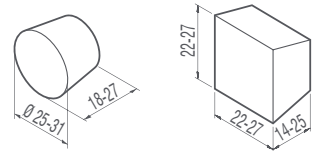
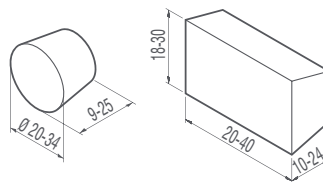
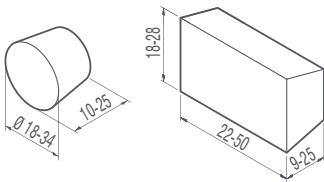
DT



T

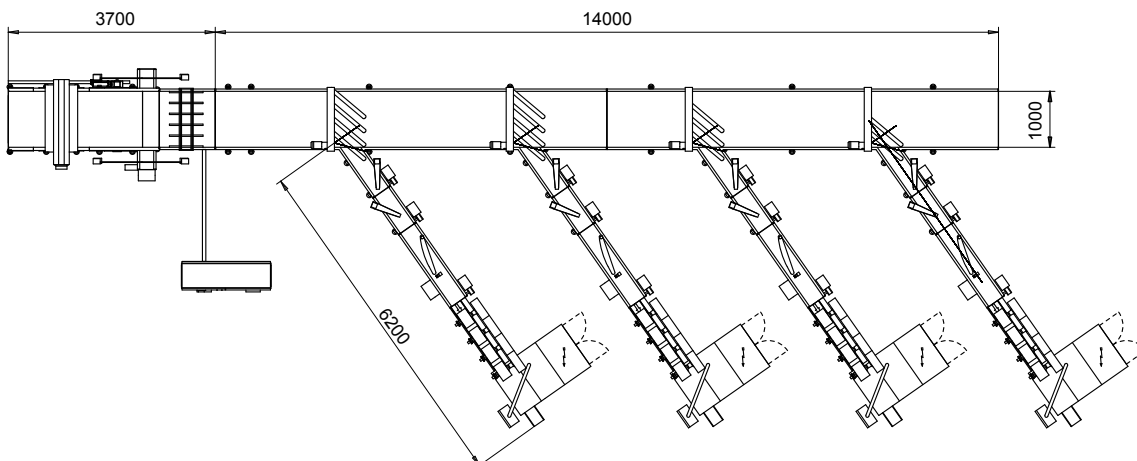
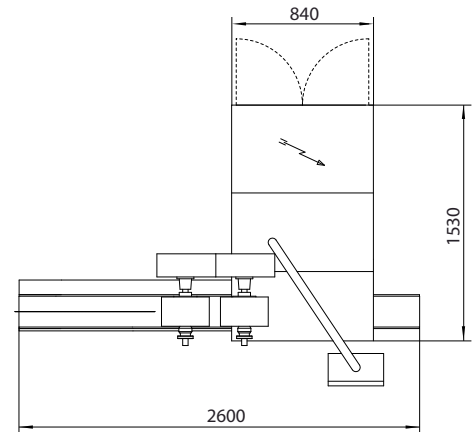


BOERO



WRAPPING

GENTLE AND SMOOTH PRODUCT HANDLING IS PROVIDED BY OUR COMPLETE RANGE OF FEEDING AND DISTRIBUTION SYSTEMS, SUITABLE FOR HIGH SPEED AND OFFERING TRUE CANTILEVER CONSTRUCTION AND FAST "TOOL-LESS" BELT REPLACEMENT.

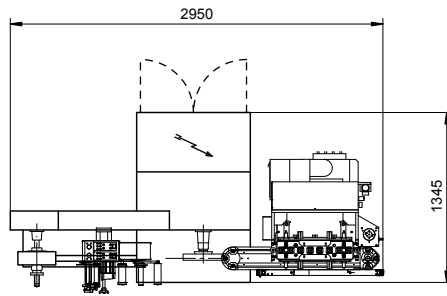


MC3

THE MC3 IS A SERIES OF WRAPPERS DEDICATED TO SPECIFIC WRAPPING STYLES, AND FLEXIBLE FOR THE NUMBER OF PRODUCTS WHICH ARE POSSIBLE TO HANDLE. ALL MC3 MACHINES ARE "USER FRIENDLY" RESULTING FROM CANTILEVER CONSTRUCTION, AT THE SAME TIME THE MC3 MACHINES ARE VERY COMPACT AND EASILY ACCESSIBLE. AS A RESULT MAINTENANCE AND CLEANING ARE REDUCED TO AN ABSOLUTE MINIMUM. THE WRAPPING STYLE CHANGE OVER IS EASY AND CAN BE COMPLETED IN VERY SHORT TIME, THERE IS NO NEED FOR ANY ADJUSTMENTS THANKS TO PRECISE FIXED POSITIONS FOR ALL SIZE PARTS.



250/MIN.



B-C



SPECIFICALLY DESIGNED FOR FOIL WRAPPING OF FLAT BOTTOM AND SPHERICAL PRODUCTS, OPTIONAL APPLICATION OF TOP STICKER AND PAPER CUP ON BOTTOM.



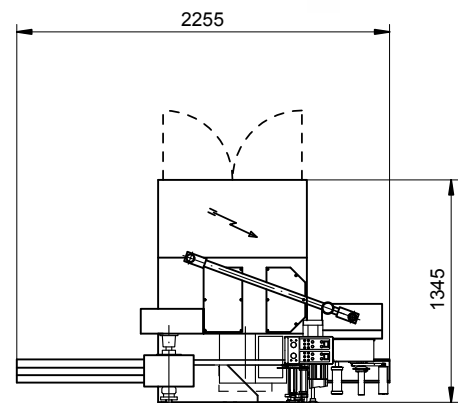
AVAILABLE FEEDING SYSTEMS (SEE RELEVANT SECTION)

WRAPPING

GW



200/MIN.



TWIST WRAPPER FOR FLAT BOTTOM PRODUCTS, EGGS AND SPHERES.

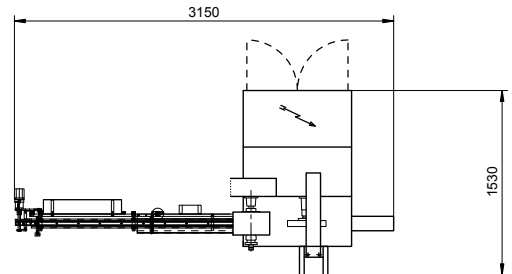
FOIL IS NEATLY TWISTED ON THE PRODUCT TOP, AND WHEN FLEXIBLE MATERIAL IS USED, THE TOP TWIST CAN BE CLOSED WITH A SELF-ADHESIVE BAND.



300/MIN.



SF
DT-B

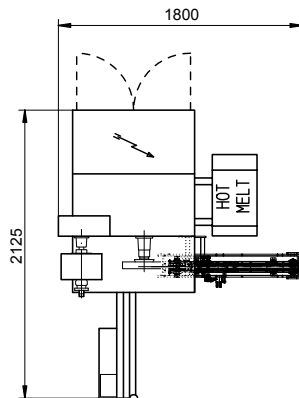


FLEXIBLE MACHINE SUITABLE FOR THE WRAPPING OF FLAT BOTTOM AND SPHERICAL PRODUCTS IN SEVERAL WRAPPING STYLES. THE PRODUCTS ARE LOADED BY ROBOTIC SYSTEM INTO THE MACHINE'S POCKETED IN-FEED BELT.



200/MIN.

FOIL WRAPPER FOR FLAT BOTTOM PRODUCTS. A SPECIFIC STATION IS PROVIDED TO GLUE A SHAPED CARDBOARD PIECE ON THE BOTTOM OF THE PRODUCT.



B-CB



SF



FOIL WRAPPER FOR SPHERICAL PRODUCTS HOLLOW AND FILLED WITH OPTIONAL APPLICATION OF TEAR TAPE FOR EASY OPENING OR STICKER SHOWING BAR CODE OR PRODUCT INFORMATION.



180-250/MIN.



MC4TB

HIGH-SPEED WRAPPER FOR CHOCOLATE TABLETS AND BARS



220/MIN.

PRODUCT SIZE RANGE

LENGTH	MIN. 90	- MAX. 220	MM
WIDTH	MIN. 40	- MAX. 90	MM
HEIGHT	MIN. 6	- MAX. 20	MM

TWO STEP MACHINE FOR WRAPPING CHOCOLATE TABLETS AND BARS, FIRST WITH ALUMINUM WITH HEAT SEAL ON THREE SIDES, SECOND AN EXTERNAL WRAP WITH PAPER OR CARDBOARD CLOSED BY HOT MELT.

CONTINUOUS MOTION SERVO DRIVEN IN-FEED BELTS TO ASSURE GENTLE AND ACCURATE PRODUCT HANDLING FOR BOTH PLAIN PRODUCTS AND FOR PRODUCTS WITH INCLUSIONS.

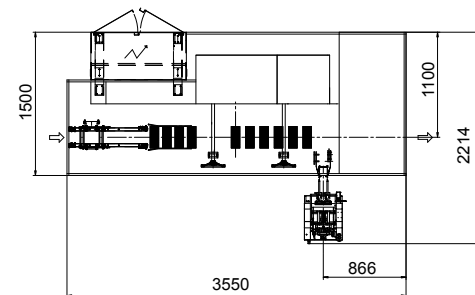
THE REVOLUTIONARY ROTARY WHEEL CYCLES THE PRODUCTS THROUGH SIX WORKING STATIONS, PERFORMING A TIGHT WRAP WITH PERFECT FOIL HEAT SEALING AND FLAT BOTTOM FOLDS.

THE MC4TB'S SUPERIOR MECHANICAL AND ELECTRONICAL CONFIGURATION MAKE IT TODAY'S FASTEST "TABLET AND BAR" WRAPPER AVAILABLE ON THE MARKET WITH SPEED UP TO 220 PRODUCTS PER MINUTE FOR 100 GR TABLET. TRUE CANTILEVER DESIGN FOR FULL ACCESS TO EACH WORKING STATION, AND MACHINE LAY-OUT WITH IN-LINE PRODUCT FEEDING AND PRODUCT DISCHARGE, OFFER IMPORTANT SYSTEM DESIGN ADVANTAGES AND FLOOR SPACE SAVING.

WRAPPING AND CARTONING



AVAILABLE FEEDING SYSTEMS (SEE RELEVANT SECTION)



OUR CONVEYOR BELT SYSTEMS ARE SPECIFICALLY DESIGNED FOR THE FEEDING OF BARS AND TABLETS AND ARE OFFERED IN VARIOUS CONFIGURATIONS TO ALLOW THE MOST APPROPRIATE PUTTING IN PLACE EVEN WHEN SPACE IS RESTRICTED.



MC1EWB and WRAP-S

COMBO LINE FOR WRAPPING AND CARTONING OF BARS

THE SMART COMBINATION OF OUR WELL KNOWN WRAPPER MC1EWB AND OUR NEW WRAP AROUND CARTONER WRAP-S, FINALLY ALLOWS TO WRAP AND CARTON CHOCOLATE BARS IN ONE SINGLE LINE OFFERING A VERY COMPACT FOOT PRINT.

THE MC1EWB IS ONE STEP MACHINE FOR THE WRAPPING OF CHOCOLATE BARS WITH ONE OR TWO WRAPPING MATERIALS.

BOTTOM CLOSURE BY HEAT-SEALING STATION OR HOT MELT GLUE. EVACUATION OF WRAPPED PRODUCTS ON HORIZONTAL CONVEYOR BELT SYNCHRONIZED WITH THE IN-FEED BELT OF THE CARTONER.

THE WRAP-S IS THE MOST SIMPLE AND VERSATILE WRAP AROUND CARTONER CAPABLE TO HANDLE MANY DIFFERENT CARTON STYLES TO ACCOMPLISH THE MARKET DEMAND.

FLAT BLANK PICK-UP, IN-FEED CONVEYOR BELT, PRODUCT PUSHER AND CARTON TRANSPORT BELT ARE ALL INDEPENDENTLY SERVO DRIVEN.

SIZE CHANGE OVER EASY AND FAST, REGULATIONS BY NUMERICAL SCALE HAND-WHEELS AND FAST CLAMPS; FLAT BLANK MAGAZINE SIZE PLATE EASY TO REMOVE AND ADJUSTMENTS OF CARTON LUG-CONVEYOR FROM HMI.

TRUE CANTILEVER CONSTRUCTION OF WORKING STATIONS AND TRANSPORT BELT FOR EASY CLEANING AND MAINTENANCE.



300/MIN.

WRAPPING AND CARTONING

AVAILABLE FEEDING SYSTEMS (SEE RELEVANT SECTION)



EWB



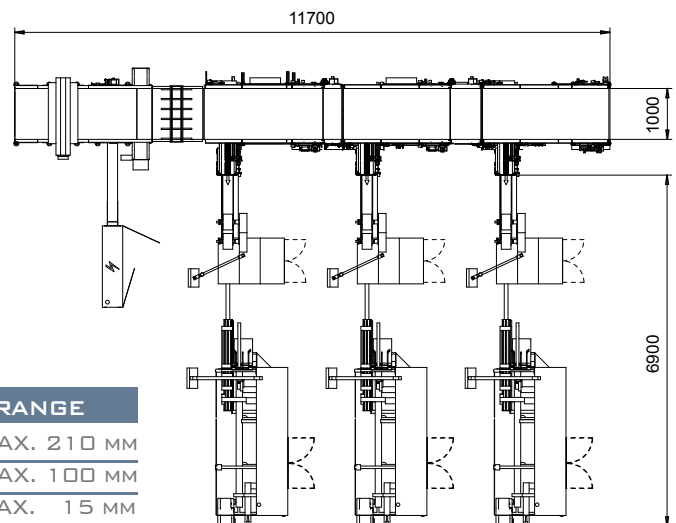
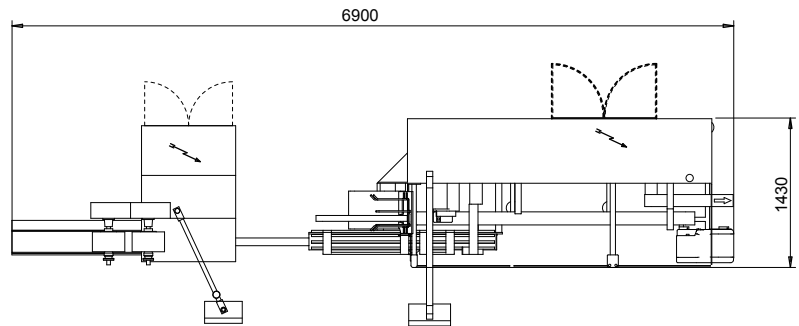
BAR SIZE RANGE

LENGTH MIN. 64 - MAX. 100 MM
 WIDTH MIN. 15 - MAX. 28 MM
 HEIGHT MIN. 8 - MAX. 15 MM

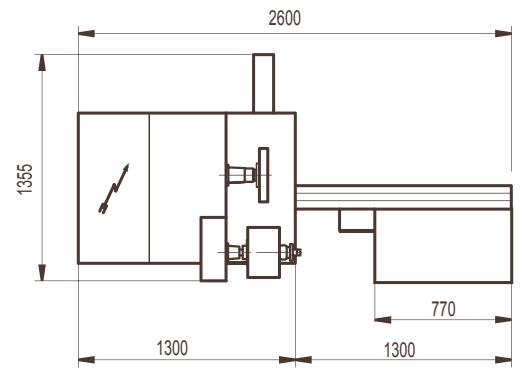


CARTON SIZE RANGE

LENGTH MIN. 90 - MAX. 210 MM
 WIDTH MIN. 65 - MAX. 100 MM
 HEIGHT MIN. 9 - MAX. 15 MM

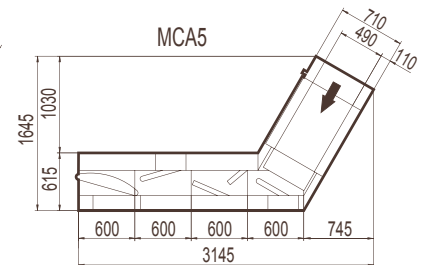
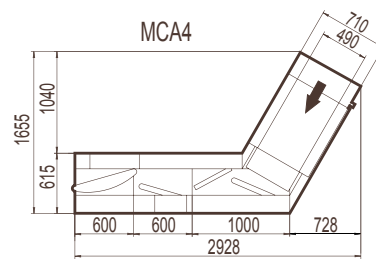
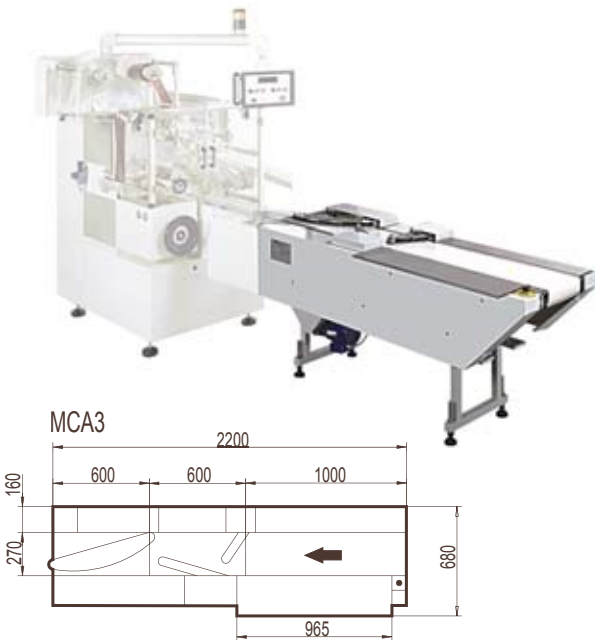


MANUAL FEEDING SYSTEM



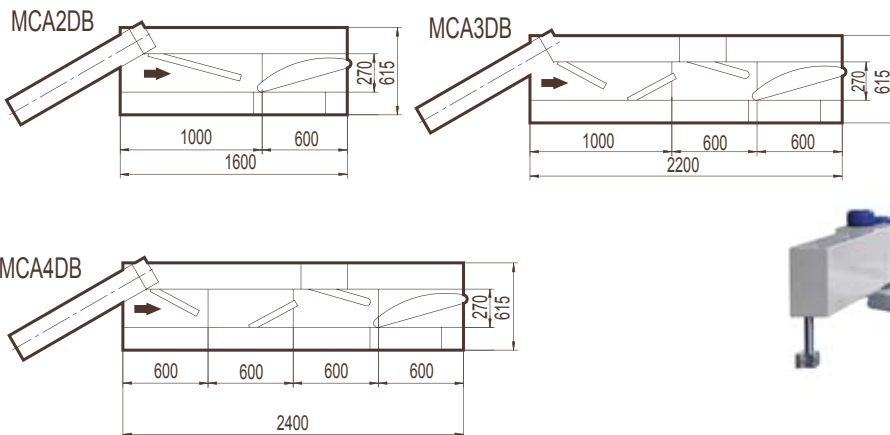
MCA3 - MCA4 - MCA5

AUTOMATIC FEEDING SYSTEMS



MCA2DB - MCA3DB - MCA4DB

AUTOMATIC FEEDING SYSTEMS WITH TAKE OFF ARMS



TSW AUTOMATIC FEEDING SYSTEMS WITH PRODUCT DEVIATORS





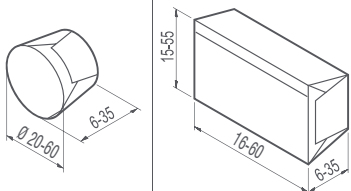

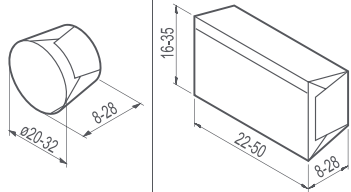

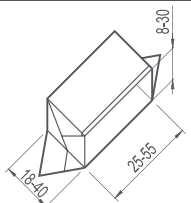

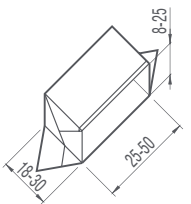

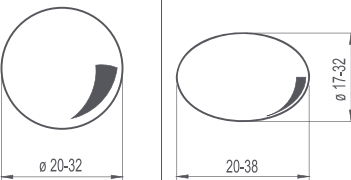

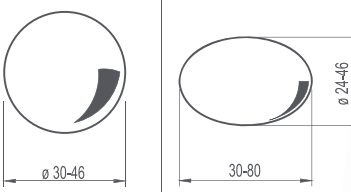
TSW AUTOMATIC ROW REMOVAL STATIONS



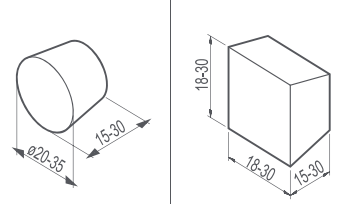

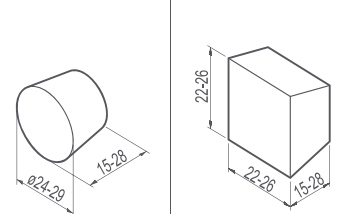




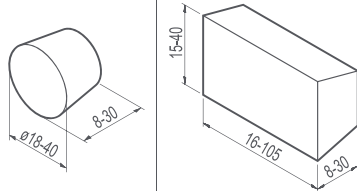

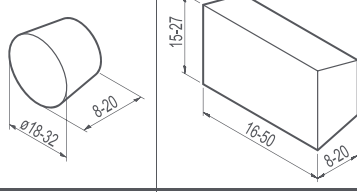

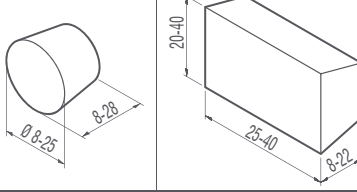

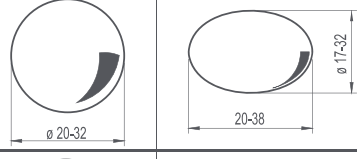

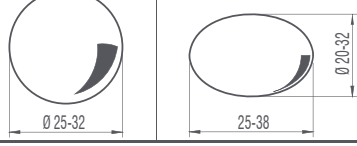

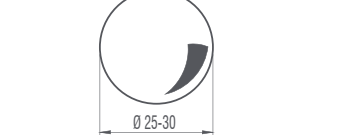
TSW AUTOMATIC FEEDING SYSTEMS WITH ROBOT



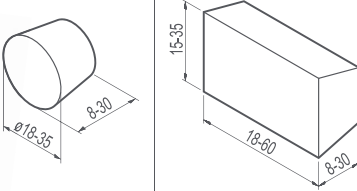

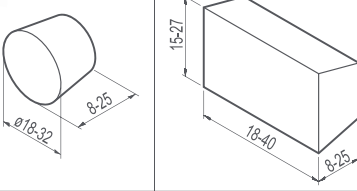




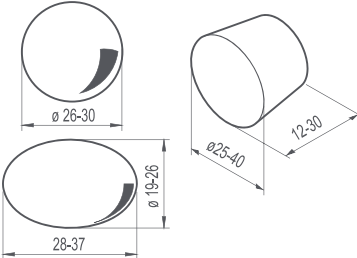
THE MACHINE CHOICE DEPENDS ON THE WRAPPING STYLE,

Fancy	MC	
	MC1 300	
	MC2 400	
	MC1 250	
	MC2 250	
	MC1S 300	
	MC3SF 200	



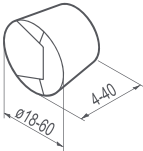
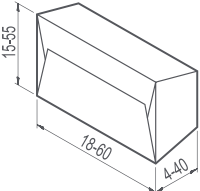

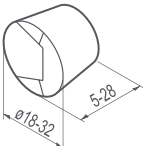
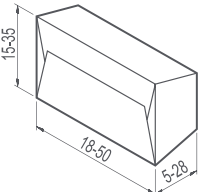

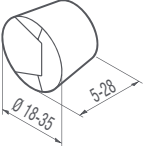
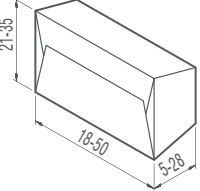

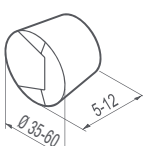
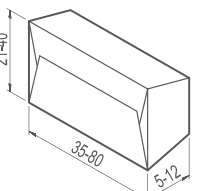

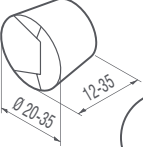
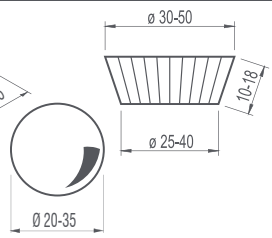

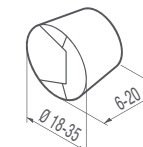
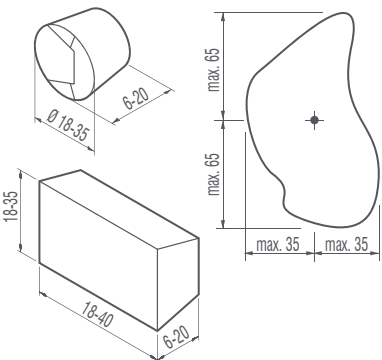
Top Twist	MC	
	MC1 300	
	MC2 300	



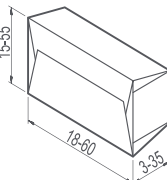
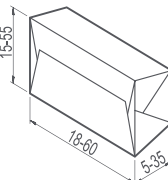

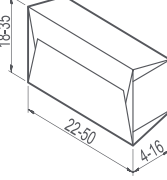
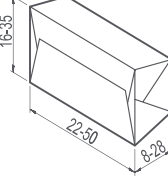

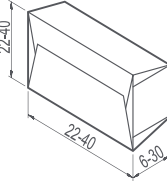
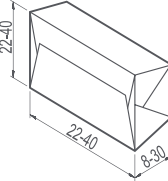
Double Twist	MC	
	MC1 300	
	MC2 400	
	MC3 250	
	MC1S 300	
	MC3 250	
	MC2 300	

Single Twist	MC	
	MC1 300	
	MC2 350	

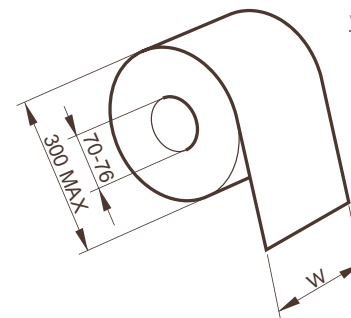
GW	MC	
	MC3 200	

THE SPEED TO BE ACHIEVED AND WHAT THE MARKET NEEDS.

Bunch	MC		
	MC1 300		
	MC2 400		
	MC3 250		
	MC3 B 200		
	MC3 B-C 250		
	MC3 B-CB 200		

EW	MC		
		ENVELOPE	PORTFOLIO
	MC1 300		
	MC2 350		
	MC3 250		

TECHNICAL DATA



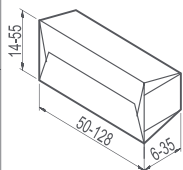
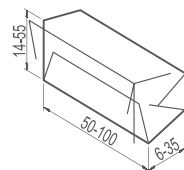


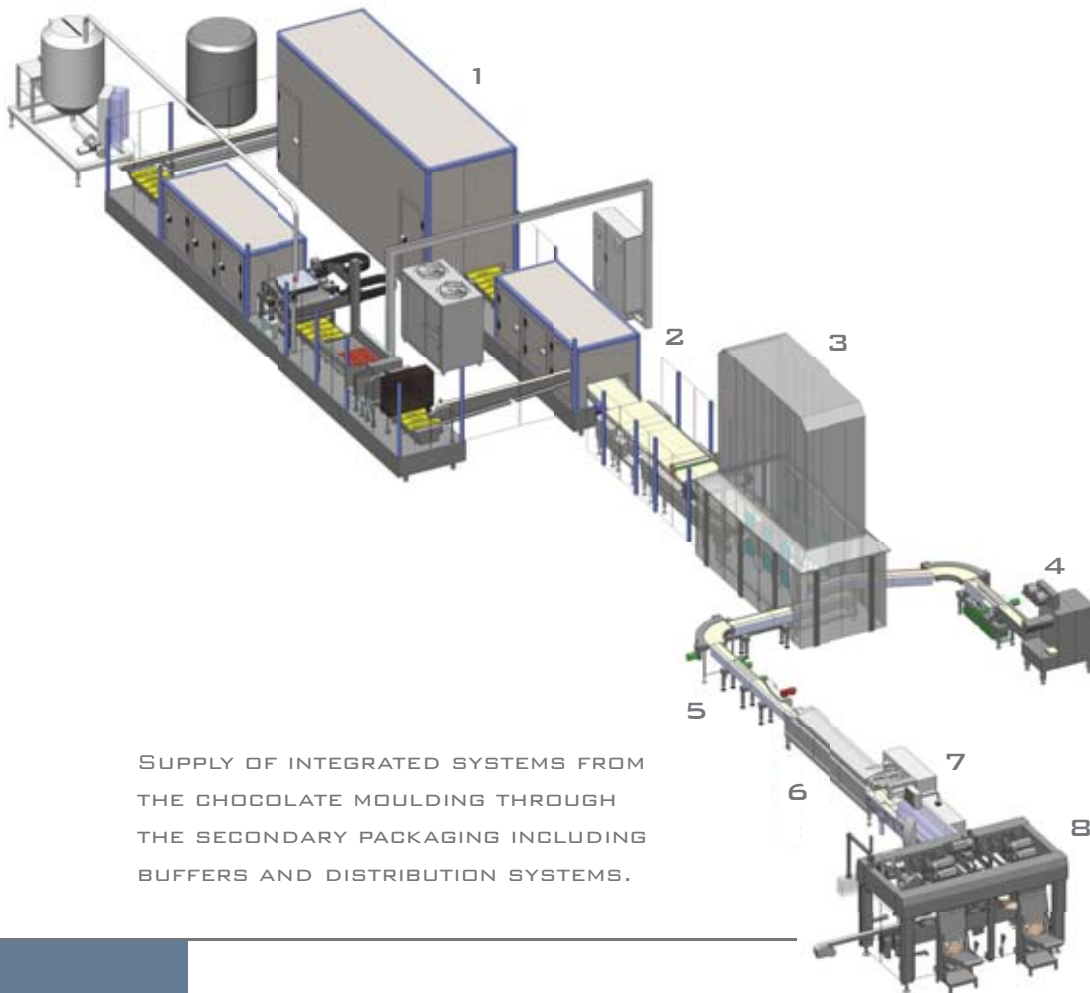
WEB WIDTH (W)
 MM 20÷190 (MC1-MC3)
 MM 20÷160 (MC2)
 MM 20÷140 (OMNIA⁶)

POWER SUPPLY 400/480 VOLT THREE PHASE + GROUND -50/60 Hz
 POWER CONSUMPTION 2 KW
 NOISE LEVEL LESS THAN 75 dB (A)
 WEIGHT 1600 KG APPROX.

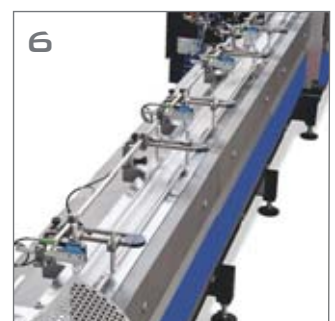
OPTIONS

- ADDITIONAL REEL HOLDERS
- AUTOMATIC REEL SPLICING DEVICE
- PRINT REGISTRATION
- HORIZONTAL OUT-FEED BELT FOR WRAPPED PRODUCTS
- HEAT SEALING DEVICE
- HOT MELT DEVICE
- COLD SEAL ON TWO OR THREE SIDES WITH EASY OPENING
- TEAR TAPE DEVICE
- LABELLING UNIT
- INK-JET CODER

EWB	MC		
		ENVELOPE	PORTFOLIO
	MC1 300		



SUPPLY OF INTEGRATED SYSTEMS FROM THE CHOCOLATE MOULDING THROUGH THE SECONDARY PACKAGING INCLUDING BUFFERS AND DISTRIBUTION SYSTEMS.



SINGLE SOURCE TURNKEY SOLUTIONS

- 1) CHOCOLATE MOULDING LINE
- 2) ROW ALIGNER WITH REJECTION OF MISALIGNED PRODUCTS (MD OPTION)
- 3) GONDOLA BUFFER
- 4) FOIL WRAPPING MACHINE
- 5) PRODUCT TURNING BELT
- 6) LOW CONTACT FEEDER
- 7) FLOW-PACK MACHINE
- 8) BOX FORMING, FILLING AND CLOSING WITH TOP LOADING ROBOTS





MC AUTOMATIONS





MC AUTOMATIONS

M.C. AUTOMATIONS S.R.L.
VIA G. ROSSA, 30 - 40033 CASALECCHIO DI RENO (BOLOGNA) ITALY
PH. +39 051 6132414 - FAX +39 051 6132605
INFO@MCAUTOMATIONS.IT - WWW.MCAUTOMATIONS.IT